

On-Demand Tabletop PhotoBook Maker

## FASTBIND FOTOMOUNT F32™



### Versatile applications:

- Deluxe company presentations
- Wedding albums
- Baby books
- Memory books
- Portfolios
- Children's books



### **FOTOMOUNT F32™** **Manual PhotoBook Maker**

Bind albums up to 310 x 316 mm / 12.2" x 12.4"

Binds all papers, including photographic paper

Albums open flat (180 degrees)

Easy to use

## Create deluxe photobooks

Fastbind FotoMount F32 is a deluxe PhotoBook Maker using the pioneering Fastbind Mountinglift™ system (patents pending). Albums open flat with an edge-to-edge panoramic view on each page.

In minutes, you produce your photo book in any format from 50 x 50 mm up to 310 x 316 mm, with all kind of printed materials: photographic paper, card, laminated material, etc. You can use real photos in your albums! For the cover, you use either a standard cover or a digitally printed custom made cover\*.

The tabletop FotoMount F32 is really compact, yet it offers the flexibility and quality previously available only from costly and bulky equipments.

## For photographic professionals and digital printers

Fastbind FotoMount F32™ is a superior solution, designed for photographic studios, photo labs and professional photographers. It also meets the needs of digital printers, copy shops and on-demand publishers who can offer premium photobooks to their customers. In-house production saves time and adds more profit to their bottom line.

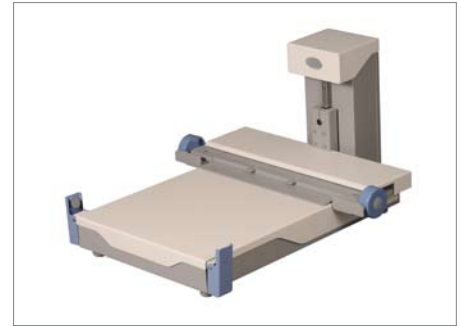
## Easy inventory: only two types of supplies

The Fastbind FotoMount™ product line provides all the consumables needed to mount a PhotoBook. With only two types of supplies, you can manage all album sizes (up to 310 x 316 mm and 80 mm thick): **Fastbind PhotoBook Mounting Sheets™** form the core of the book block and **Fastbind PhotoBook End Sheets™** attach your book block to the cover.

## Specifications

	Europe	U.S.A.
<b>Max print size (W x L)</b>	630 x 321 mm	24.8" x 12.6"
<b>Min album size (W x L)</b>	50 x 50 mm	2" x 2"
<b>Max album size (W x L)</b>	310 x 316 mm	12.2" x 12.4"
<b>Max binding thickness</b>	80 mm	3"
<b>Machine dimensions (W x L x H)</b>	514 x 610 x 320 mm	20.2" x 24" x 12.6"
<b>Package dimensions (W x L x H)</b>	586 x 700 x 406 mm	23.1" x 27.6" x 16"
<b>Net / gross weight</b>	18 / 19.5 kg	40 / 43 lbs

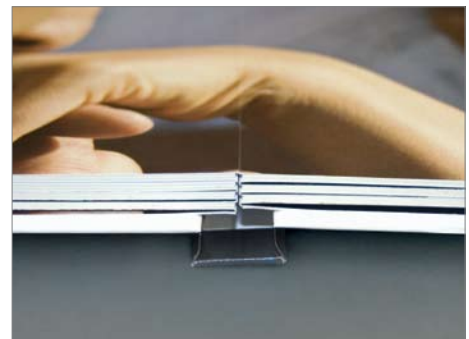
Manual operation (no electricity required).  
 Cover Guide with two Cover Positioning Holders included.  
 Fastbind Mountinglift system: patents pending.  
 Product information as of February 2009 and is subject to change without notice.



Fastbind FotoMount F32 is a compact, tabletop unit.



A Cover Guide and two Cover Positioning Holders are included.



The finished book opens astonishing 180 degrees.

## Compatible with Fastbind Casemakers™ and FotoCreasers™

Fastbind FotoMount F32 uses pre-folded photos and pictures. The Fastbind FotoCreasers C33 and C33E will score your images without damaging the materials or altering the printing. Your album will open flat and look beautiful, even in the center of the page!

For the best quality personalized hard covers, we recommend the Fastbind Casemakers. For example, Fastbind Casematic H32 allows you to create the cover of your choice, in all the formats compatible with the FotoMount F32. Just imagine and design the cover for your album. Producing it will be a matter of minutes. In addition, Fastbind FotoMount F32 comes with a cover guide and two cover positioning holders to make the final mounting easier!



Fastbind Casematic H32 Pro™

\* For top quality personalized hard covers, we recommend Fastbind Case Makers (not included)